

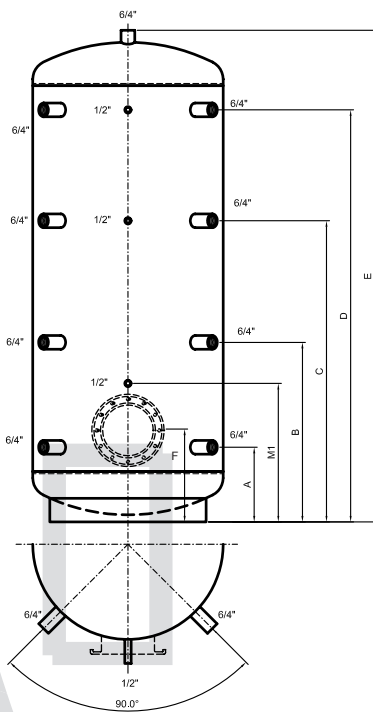
# Backup storage tank

Backup storage tank made of high quality steel St. 37.2, grounded on the outside, with connections 6/4", connections 1/2" and sensor straps (Type: GK-PSM). Also available with cleaning flange 300 mm and sealing and screws M12 x 35 (Type: GK-PSF) or with one (Type: GK-PSR) or two (Type: GK-PSRR) pre-installed large area high performance exchangers 1".

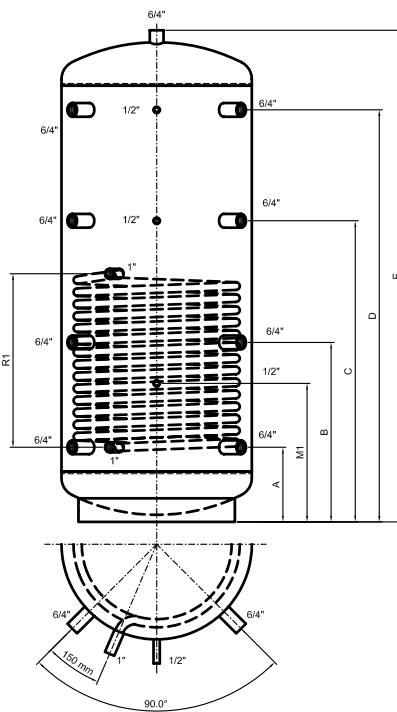
### Insulation for backup storage tank:

100 mm up to 1000 lt. from 1500 lt. 120 mm PU-soft foam insulation= 0,039 W/m<sup>2</sup>K, colour silver

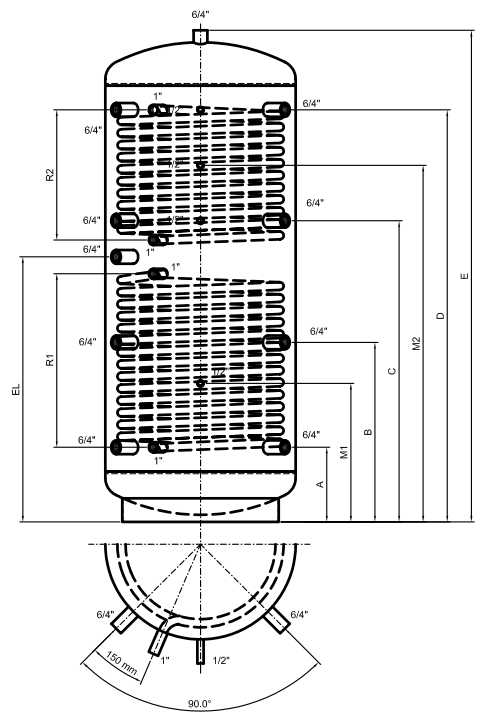
**GK-PSM /  
GK-PSF**



**GK-PSR**



**GK-PSRR**



### Technical data:

Max. operating temperature: 95° C  
 Max. operating pressure tank: 3 bar  
 Max. operating pressure exchanger: 6 bar

### Flange data: (Type GK-PSF):

External diameter: 300 mm  
 Inner diameter: 210 mm  
 Bolt circle: 260 mm

Type	da	Exch. above	Exch. below	Flange	EL	A	B	C	D	E	F	R1	R2	M1	M2	Weight	Incl.	da	Height
	mm	m <sup>2</sup>	m <sup>2</sup>															mm	mm
GK-PSM 500	650	-	-	-	-	210	610	1000	1380	1640	-	-	-	545	-	90	1700	850	1690
GK-PSM 800	750	-	-	-	-	240	675	1180	1620	1915	-	-	-	510	-	122	1980	950	1970
GK-PSR 800	750	-	2.4	-	-	240	675	1180	1620	1915	-	670	-	510	-	158	1980	950	1915
GK-PSRR 800	750	1,8	2,4	-	1010	240	675	1180	1620	1915	-	670	470	510	1400	185	1980	950	1915
GK-PSM 1000	790	-	-	-	-	310	745	1250	1710	2050	-	-	-	575	-	137	2100	990	2130
GK-PSF 1000	790	-	-	300	-	310	745	1250	1710	2050	380	-	-	575	-	140	2100	990	2130
GK-PSR 1000	790	-	3,0	-	-	310	745	1250	1710	2050	-	720	-	575	-	176	2100	990	2130
GK-PSRR 1000	790	2,4	3,0	-	1170	310	745	1250	1710	2050	-	720	540	575	1480	212	2100	990	2050
GK-PSM 1500	950	-	-	-	-	285	885	1490	1985	2330	-	-	-	565	-	218	2400	1190	2400
GK-PSR 1500	950	-	3,8	-	-	285	885	1490	1985	2330	-	800	-	565	-	270	2400	1190	2330
GK-PSM 2000	1100	-	-	-	-	320	900	1490	2020	2380	-	-	-	635	-	220	2500	1340	2450
GK-PSR 2000	1100	-	4,2	-	-	320	900	1490	2020	2380	-	1000	-	635	-	320	2500	1340	2380